

# Fall / Winter 2011

Motion Control, Inc.  
115 N. Wright Brothers Dr.  
Salt Lake City, UT 84116  
www.UtahArm.com  
1(888) 696.2767

*MotionControl*

## PRODUCT UPDATE

PRODUCT  
UPDATE  
FALL / WINTER



### MARK YOUR CALENDAR

**Fall 2011 SuperCourse** at  
Fillauer Headquarters  
Oct. 24 - 28, 2011  
Chattanooga, TN

**Spring 2012 SuperCourse** at  
Motion Control Headquarters  
Feb. 22 - Mar. 2, 2012  
Salt Lake City, UT.

For more information or to register for the  
SuperCourse:

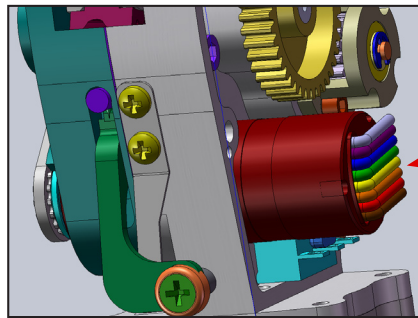
Email: [info@UtahArm.com](mailto:info@UtahArm.com) or call:  
1.888.696.2767 [www.UtahArm.com](http://www.UtahArm.com)

Grants from the Dept. of Education  
(NIDRR), NIH (NCMRR),  
and NSF have helped to fund  
these developments.

**HIGH PERFORMANCE** and...ways to save  
a "BUNDLE" from Motion Control

### High Performance Upgrade - Brushless DC Motor

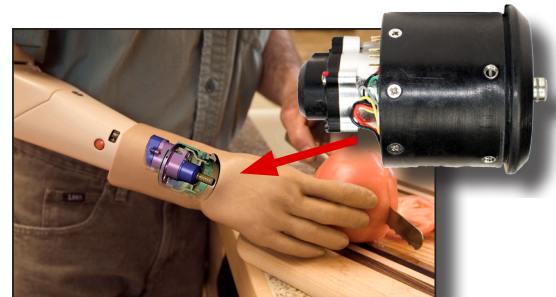
- Increases ETD speed by 40%
- Increases MC Hand speed by 25%
- Reduces motor noise and motor problems- by a lot!
- Always is paired with the Advanced ProHand Controller, and a 7.2 volt battery



Brushless DC Motor is "under-cover" in the MC Hand or ETD. The advanced 8-contact motor boosts speed 25-40%

### High Performance, Low Noise MC Wrist Rotator

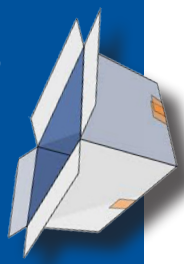
- Double the speed and torque
- Smooth precise control, works with all brands of TDs —  
*Just use the New ProWrist control*



### Special Offer Until January 1, 2012

- BUNDLE MOTION CONTROL PARTS - SAVE 5%
- Make a "BUNDLE" - that is a prosthesis with all MC Parts\*
- Take 5% off - even with Utah Arms\*\*

A Bundle =  
Utah Arm or ProControl 2/Pro  
Hand —  
+ MC Triad Preamps & Li-Ion  
Battery  
+ MC Hand and/or ETD  
+ MC Wrist Rotator (optional)



\* Discount not applied to non - MC products

\*\* Discount not added to existing discounts  
(call for more info)